



ALL-IN-ONE PANEL

*The Complete Power Management Solution
for High End Custom AV Installations*

- ✓ **Complete Isolation (5kVA, 7.5kVA and 12.5kVA models)**
- ✓ **High Instantaneous Current**
- ✓ **Noise Filtration**
- ✓ **Surge Suppression**
- ✓ **Clean Grounding**



The All-In-One Panel

The All-In-One (AIO) Panel offers the ultimate comprehensive power management solution for high end audio video applications in home theater, 2-channel home audio, professional studios and commercial theaters.

At the heart of the AIO is a 5kVA, 7.5kVA or 12.5kVA Plitron Toroidal Isolation Transformer, the AIO provides complete isolation from the external power grid. Its balanced high-power primary input (240V or 208V) provides the most unconstrained, yet protected, energy source available for high end audio video systems.

Low Source Impedance

Torus Power Isolation Transformers have low output impedance. The All In One Panel Board can offer high instantaneous output current, drawing from the service line or subpanel (230V or 240V).

Noise Filtration

The AIO uses Torus Power Narrow Band Technology (NBT) for its noise filtration. NBT uses controlled leakage inductance and capacitances within the transformer to significantly reduce common mode and differential mode noise. NBT operates from 2kHz to 1MHz at 12dB/decade up to 500kHz. With the transformer a mere 2 feet from the distribution panel, using 2AWG wiring for connections, the AIO is able to fully take advantage of the noise cancellation and isolation benefits.

Surge Suppression

The All-In-One panel is available with a TVSS device built in to its signal path. This UL certified Panel TVSS has a sub-nanosecond response time and manages surges beyond 20,000 Amps. The TVSS also offers additional noise filtration of EMI and RFI (40dB typical).

Grounding

Approximately 90% of electrical artifacts are due to noise between the neutral and ground. These artifacts frequently manifest themselves as hum or buzz for audio equipment and pixilation or "snow" for video equipment. The AIO panel uses a separately derived equipment ground (isolated ground) making trouble shooting ground loops much easier.

Breakers

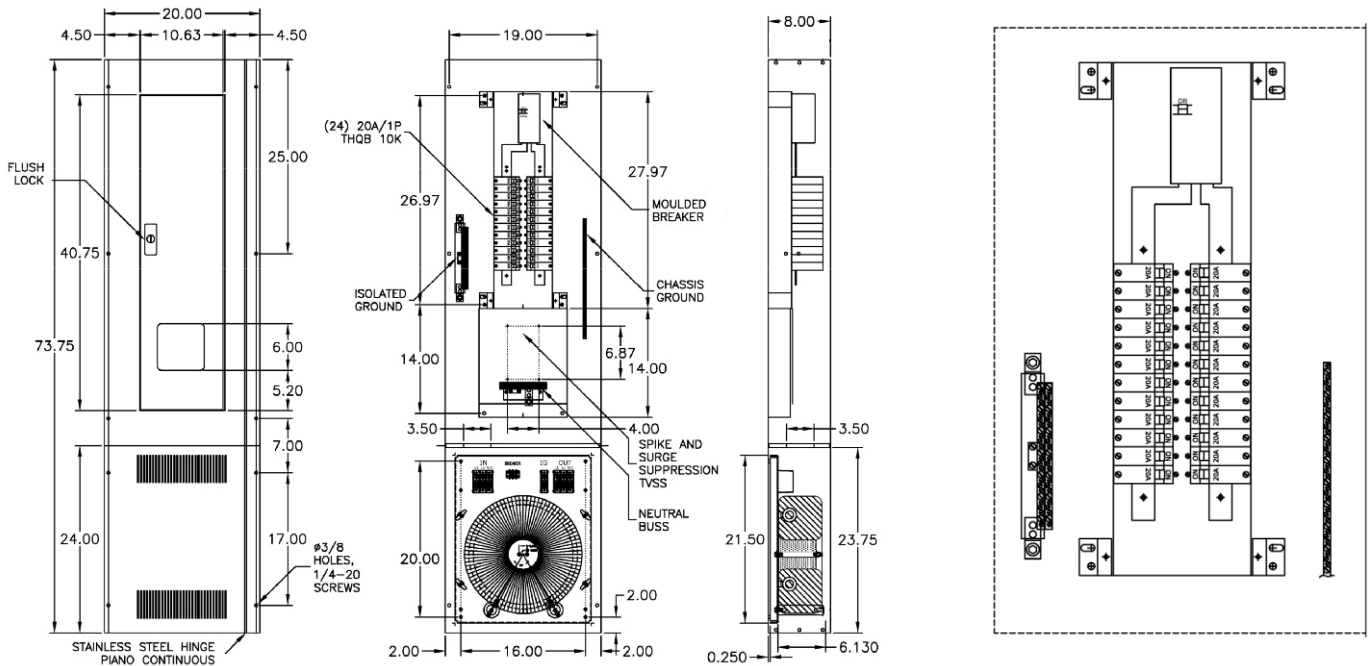
Ground One's distribution system is designed with current in mind. It comes standard with 24 industrial grade 20A bolt-in breakers, which are fed by robust 1¼" x ¼" all-copper buss bars. The main shunt trip breaker is connected to a thermal contactor located within the transformer, and is rated at 40A for 5kVA, 60A for 7.5kVA or 100A for 12.5kVA models. In the event of transformer overheating, the main breaker will trip.

Efficiency

The toroidal transformer operates at or above 96% efficiency making the AIO panel environmentally friendly by minimizing wasted power consumption.

All-In-one Panel Layout

Breaker Panel



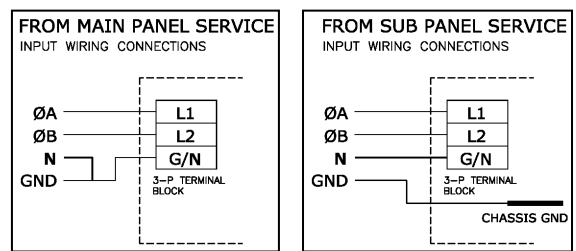
Electrical Specifications

Model Number	Input	Input Current	Output Current	Output Voltage	Output Power	Output Circuits
AIO-11303-00	240VAC, 50/60Hz	20A	20A at 240V out,	120V/240V	5,000VA	24 x 20A industrial grade breakers
AIO-11302-00	208VAC, 50/60Hz		40A at 120V out			
AIO-11301-00	240VAC, 50/60Hz	30A	30A at 240V out,	120V/240V	7,500VA	24 x 20A industrial grade breakers
AIO-11300-00	208VAC, 50/60Hz		60A at 120V out			
AIO-11299-00	240VAC, 50/60Hz	50A	50A at 240V out,	120V/240V	12,500VA	24 x 20A industrial grade breakers
AIO-11298-00	208VAC, 50/60Hz		100A at 120V out			

Mechanical Specifications

Model Number	Weight	Size (w x d x h)
AIO-11303-00	200 lbs.	20 x 8 x 74 inch
AIO-11302-00	91 kg	508 x 203 x 1,880 mm
AIO-11301-00	242 lbs.	
AIO-11300-00	110 kg	
AIO-11299-00	282 lbs.	
AIO-11298-00	128 kg	

Input Wiring



Schematic

